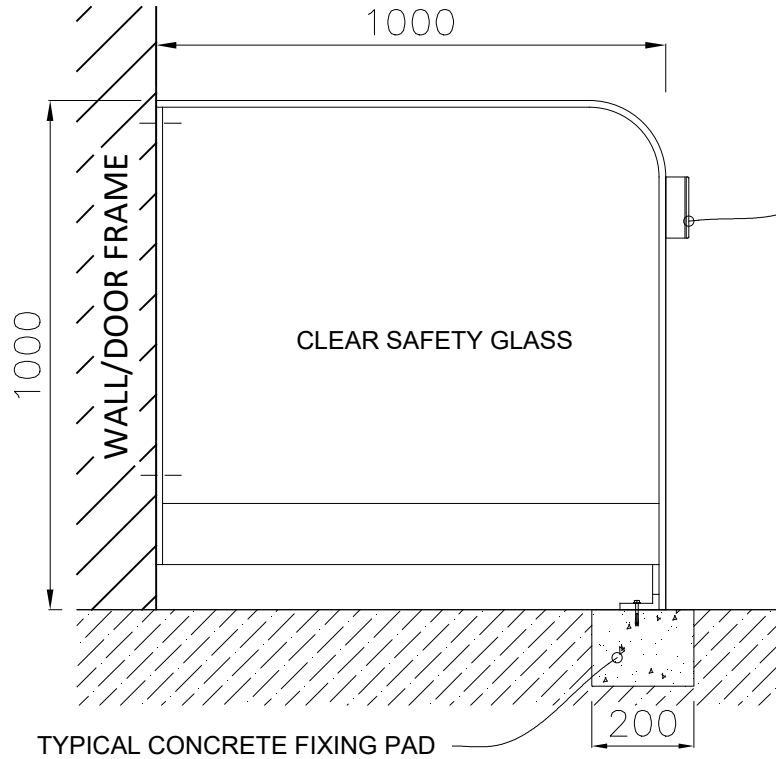
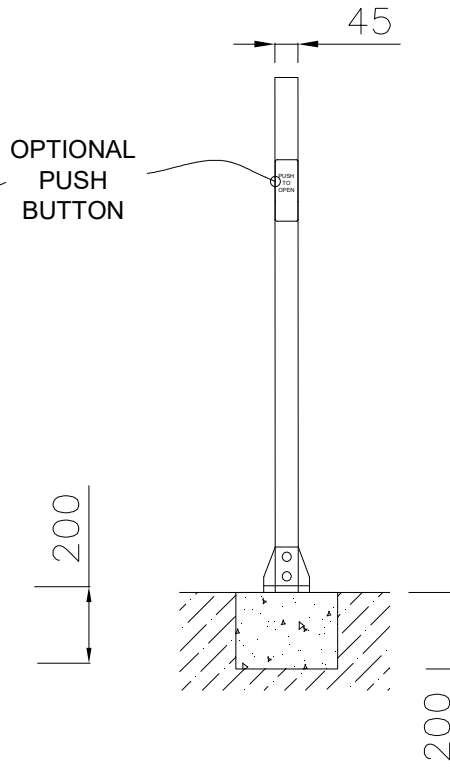


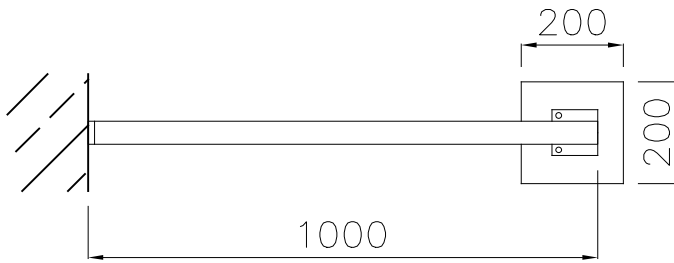
SIDE ELEVATION



END ELEVATION



PLAN



FOR ILLUSTRATIVE PURPOSE ONLY



UNIT A, HORTONWOOD 31
TELFORD, SHROPSHIRE
TF1 7YZ

TEL. 01952 670169
FAX. 01952 670181

DATE	DRAWN	SCALE NTS	CLIENT
TOLERANCES (unless otherwise stated) + -		SHEET No. 1 OF 1	PROJECT
QUOTE / WORKS ORDER No.			TITLE
DWG No.	REV	GLAZED STANDARD SAFETY BARRIER	

REV	DATE	BY	DESCRIPTION
0			ISSUED FOR APPROVAL

REVISIONS/ISSUE STATUS