



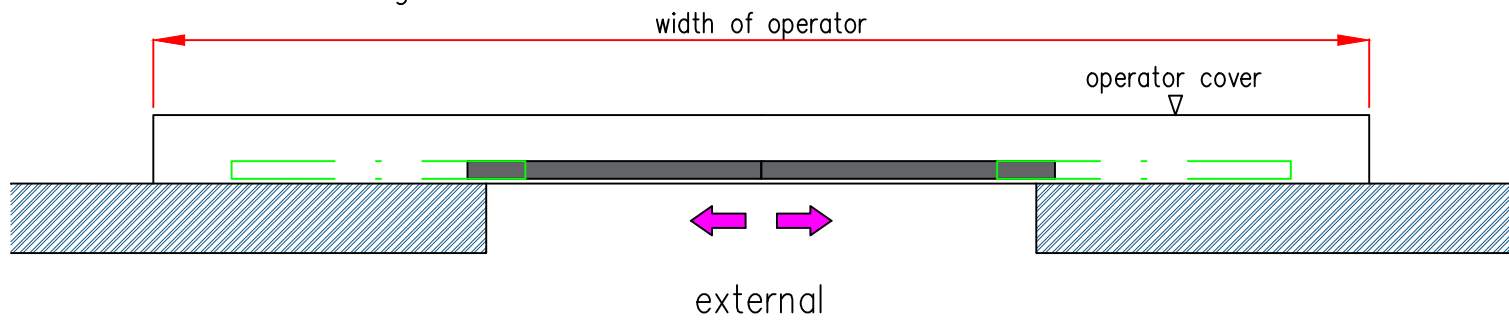
HORTON 2021+ SLIDE OPERATOR

FABRICATORS PACK

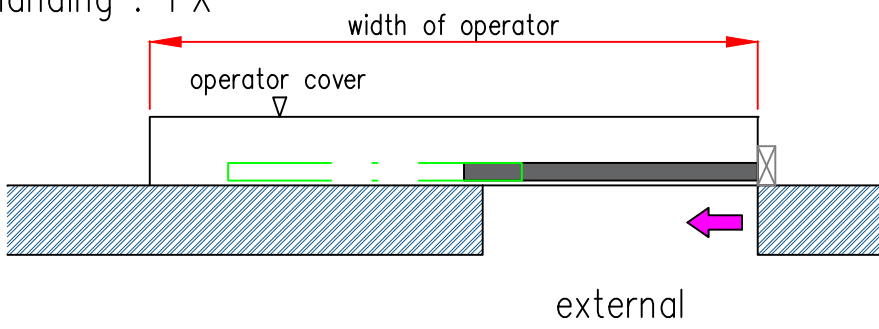
automated systems for sliding doors

door handing info

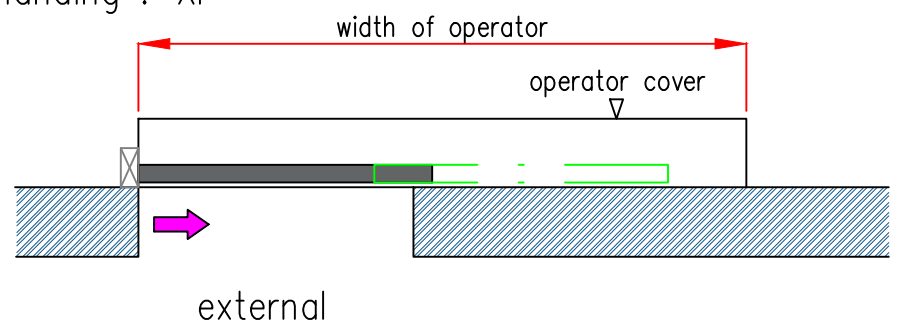
door handing : PXXP



door handing : PX

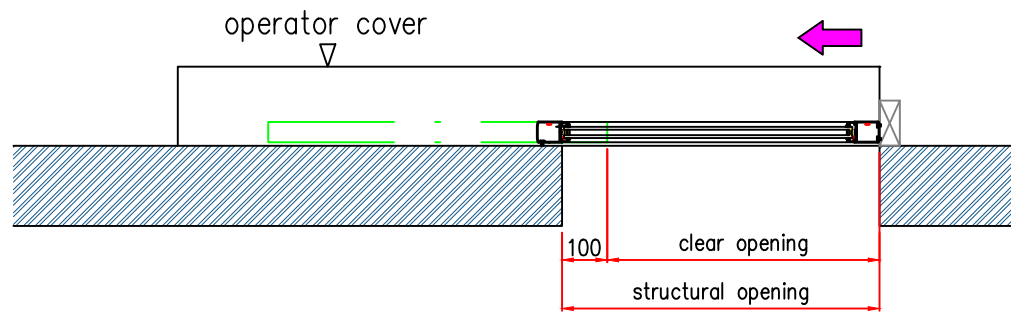


door handing : XP

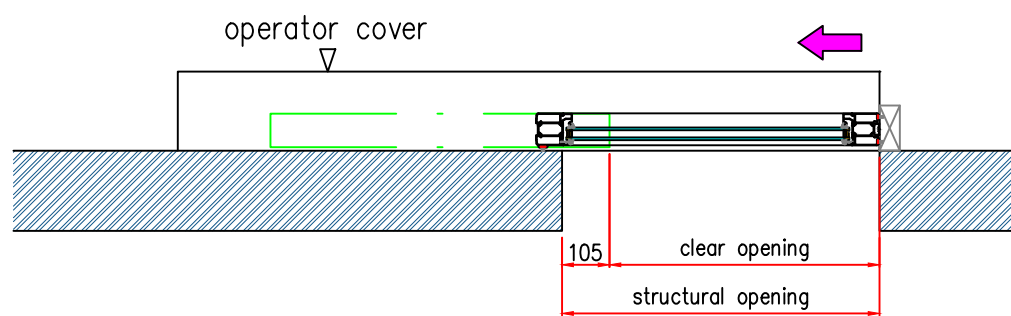


Clear opening info

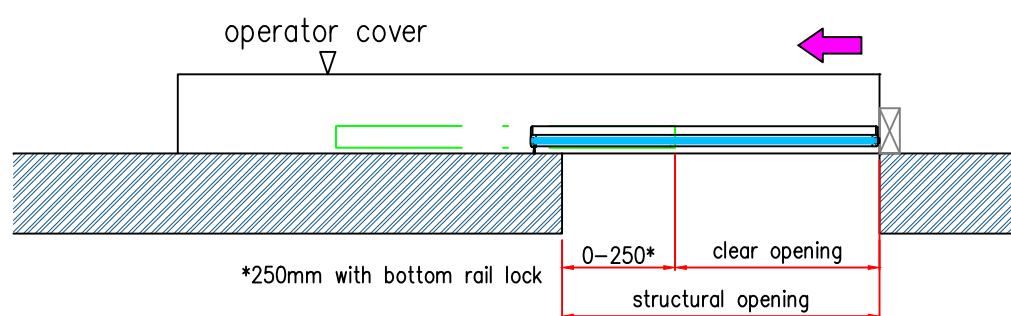
clear opening Horton non thermal door



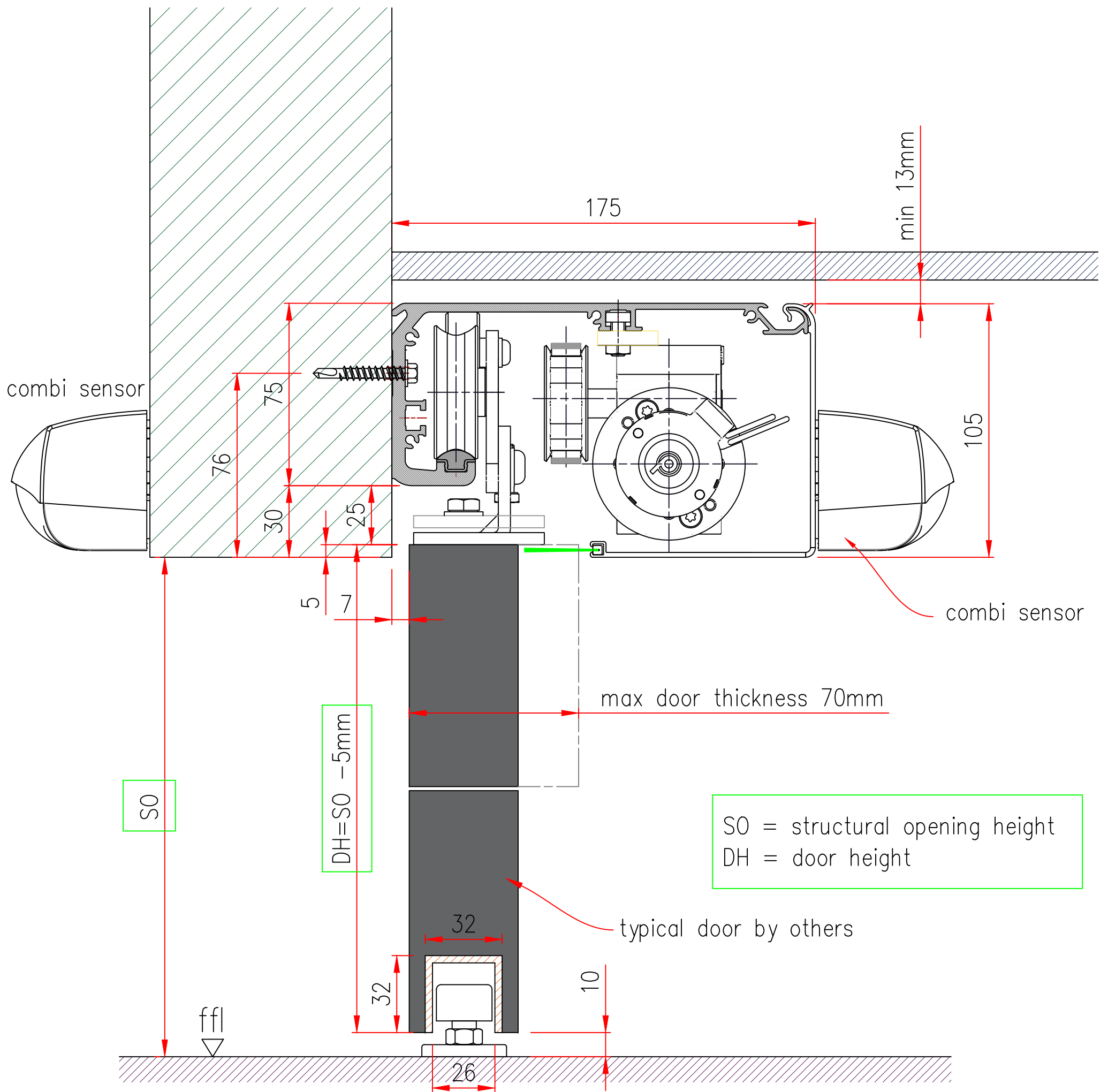
clear opening Horton thermal door



clear opening Horton elegant door



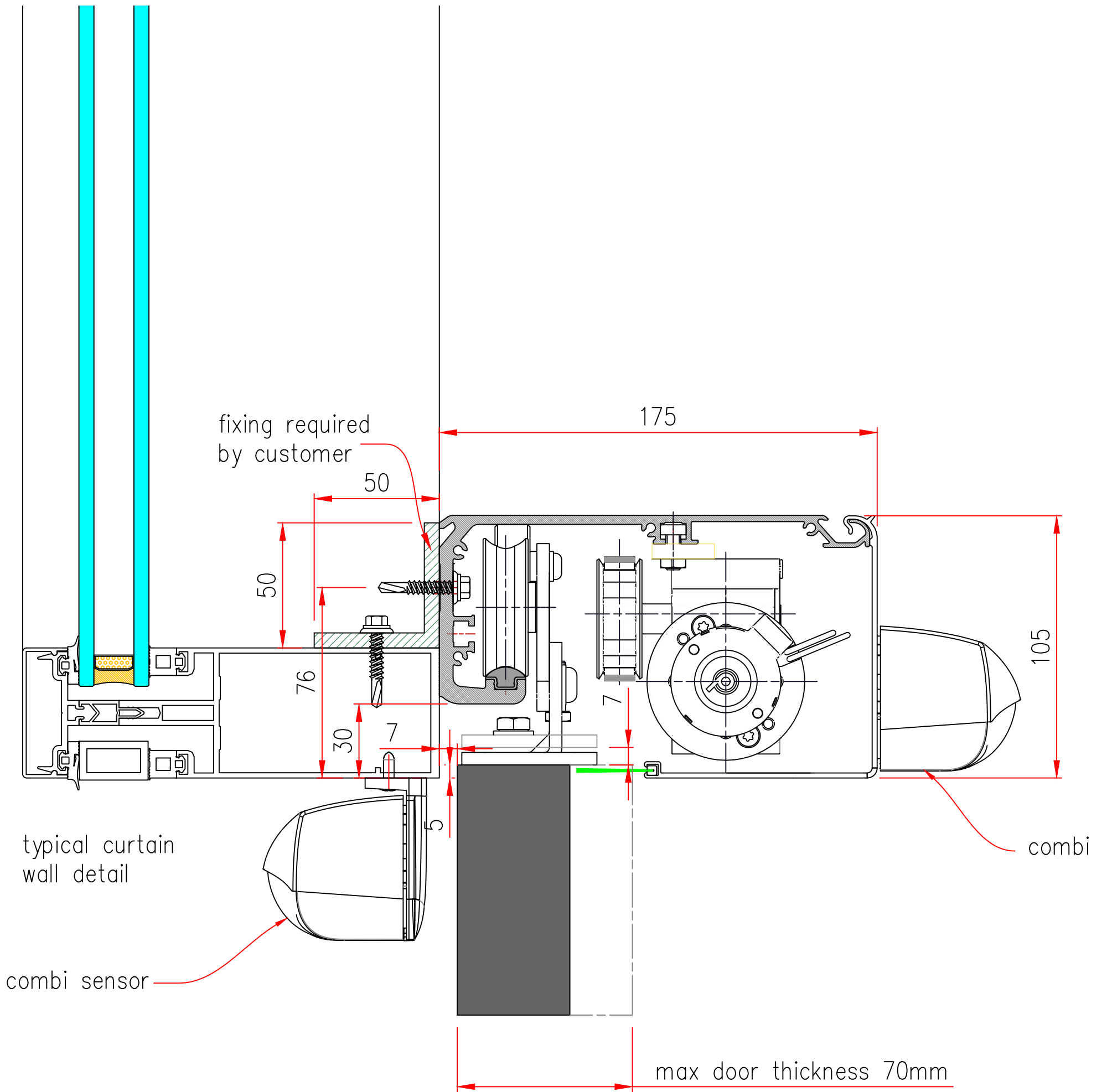
Horton 2021+ – doors by customer



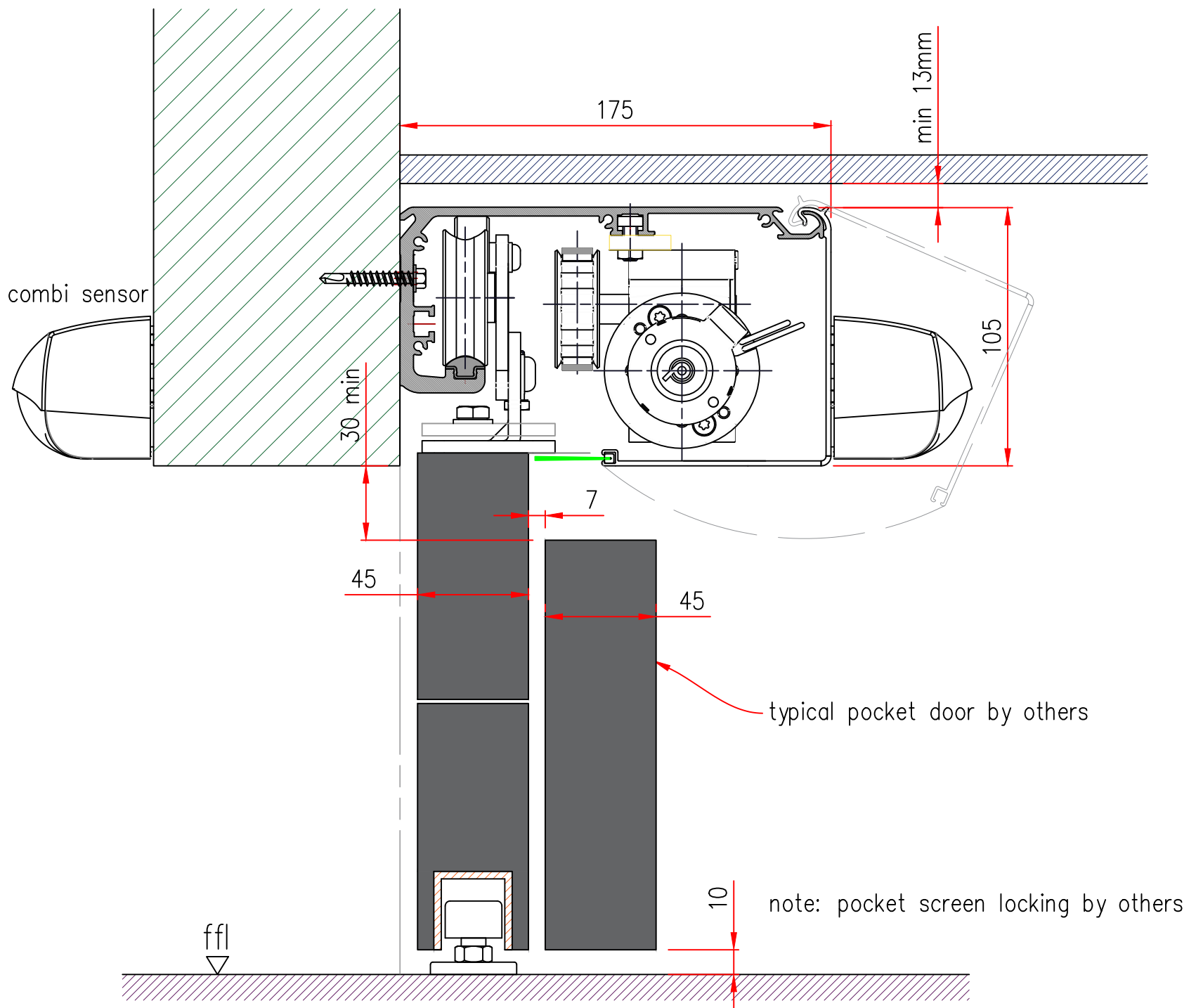
door top rail to be packed out flush– see prep detail D01 (by others)

floor guide & channel by Horton – see prep detail D02

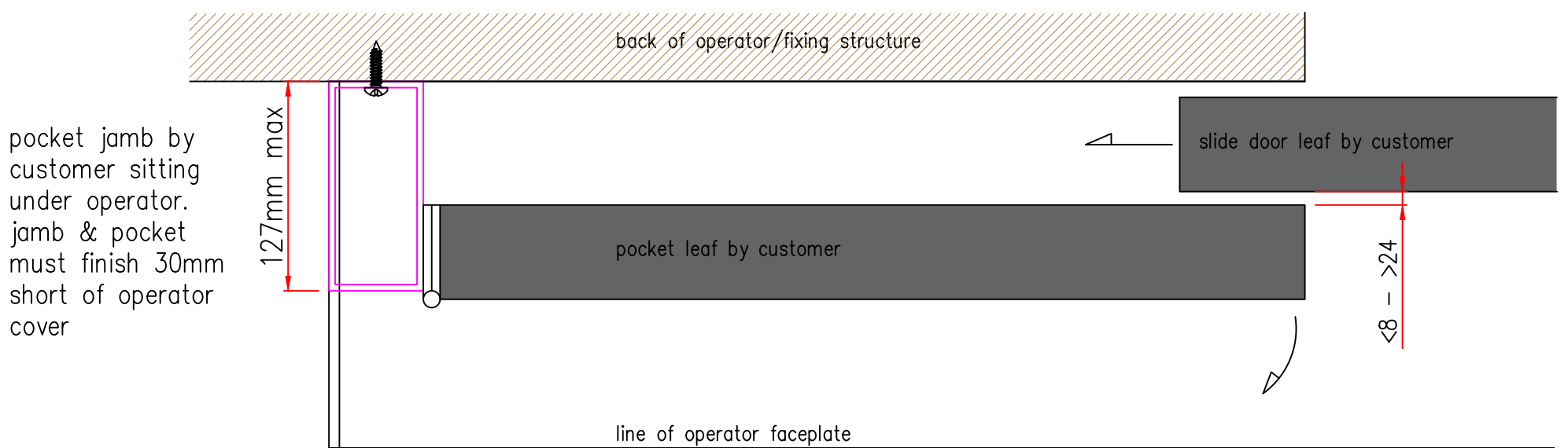
Horton 2021+ – doors by customer typical curtain wall detail



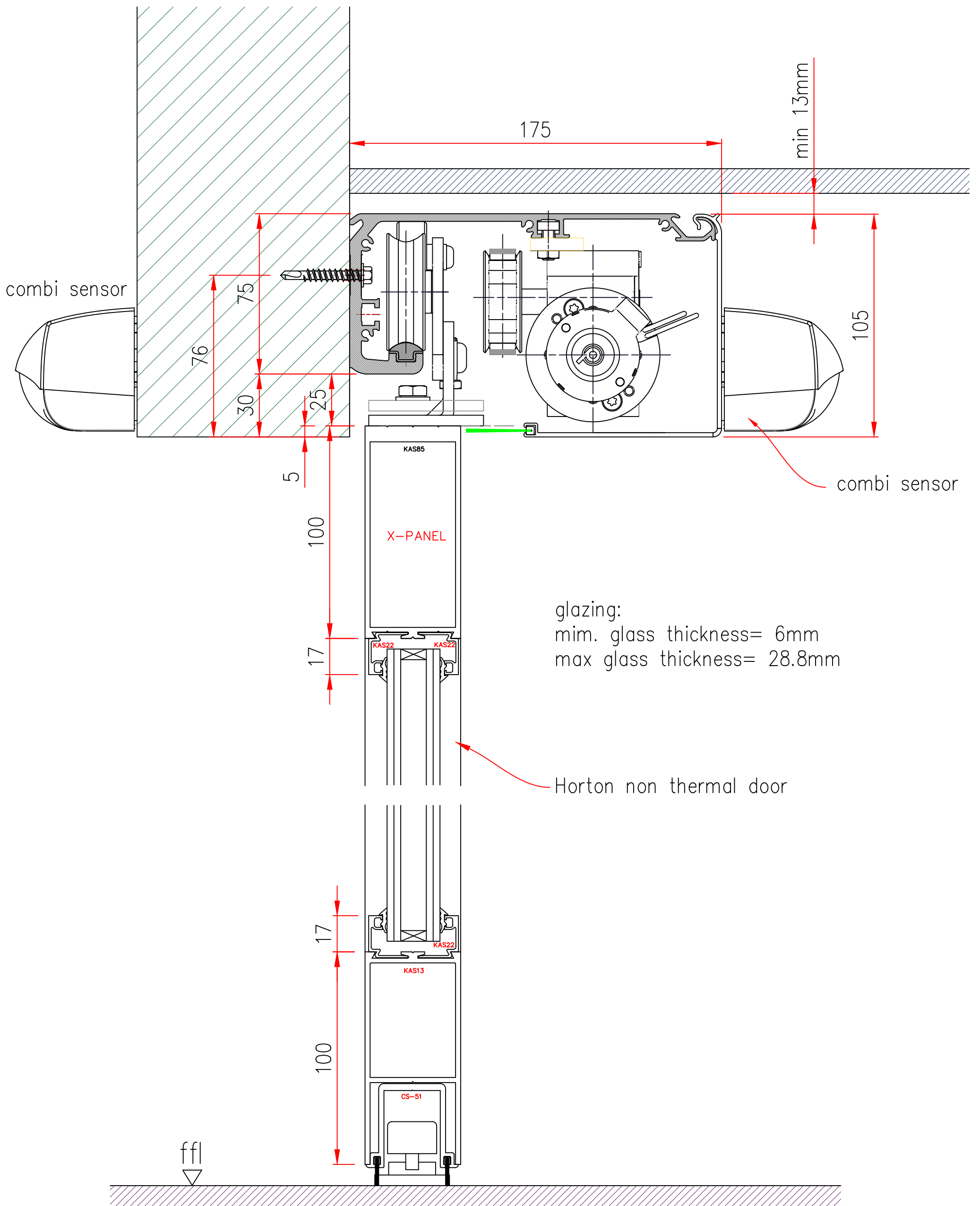
Horton 2021+ – doors and pockets by customer



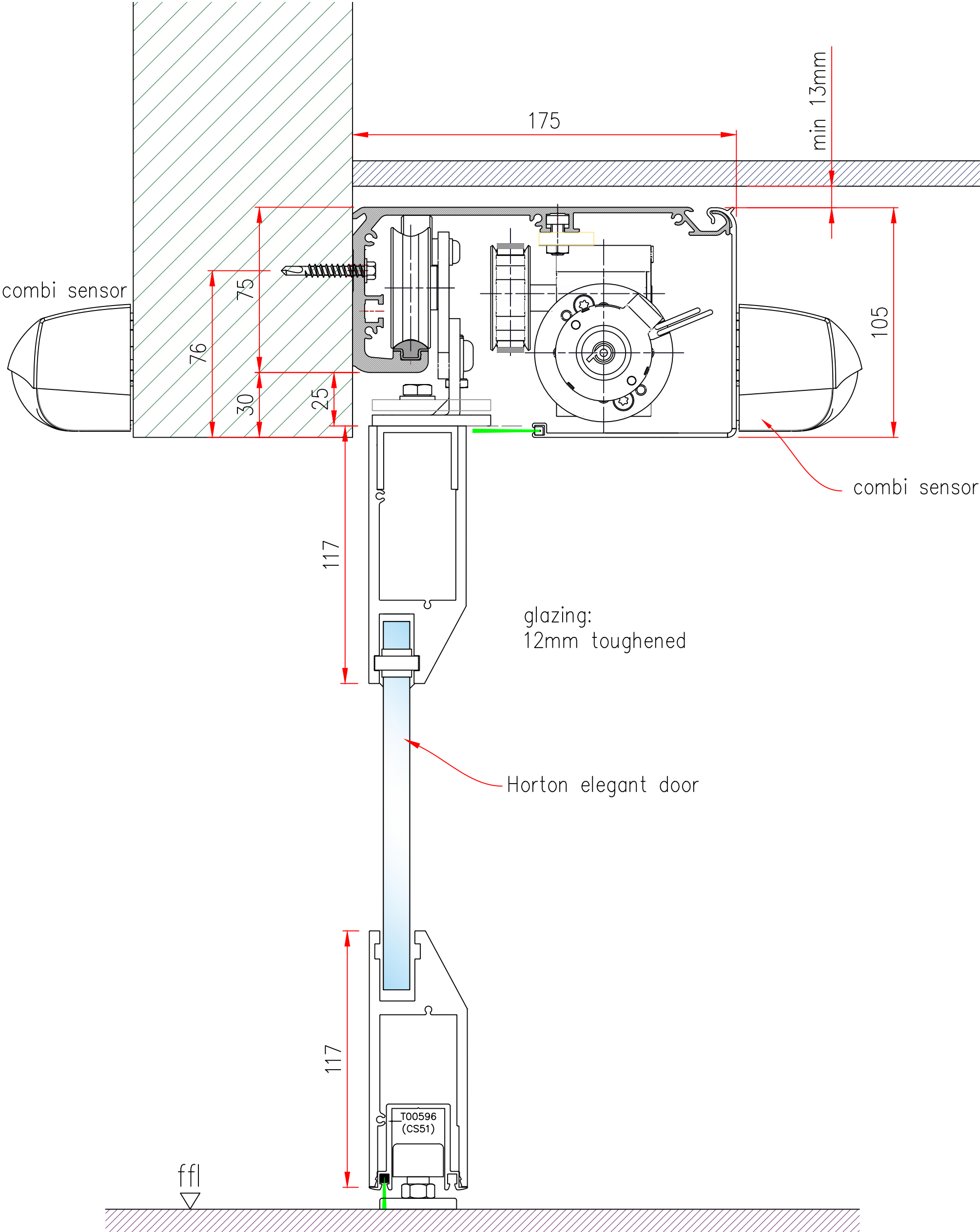
OPTION 1



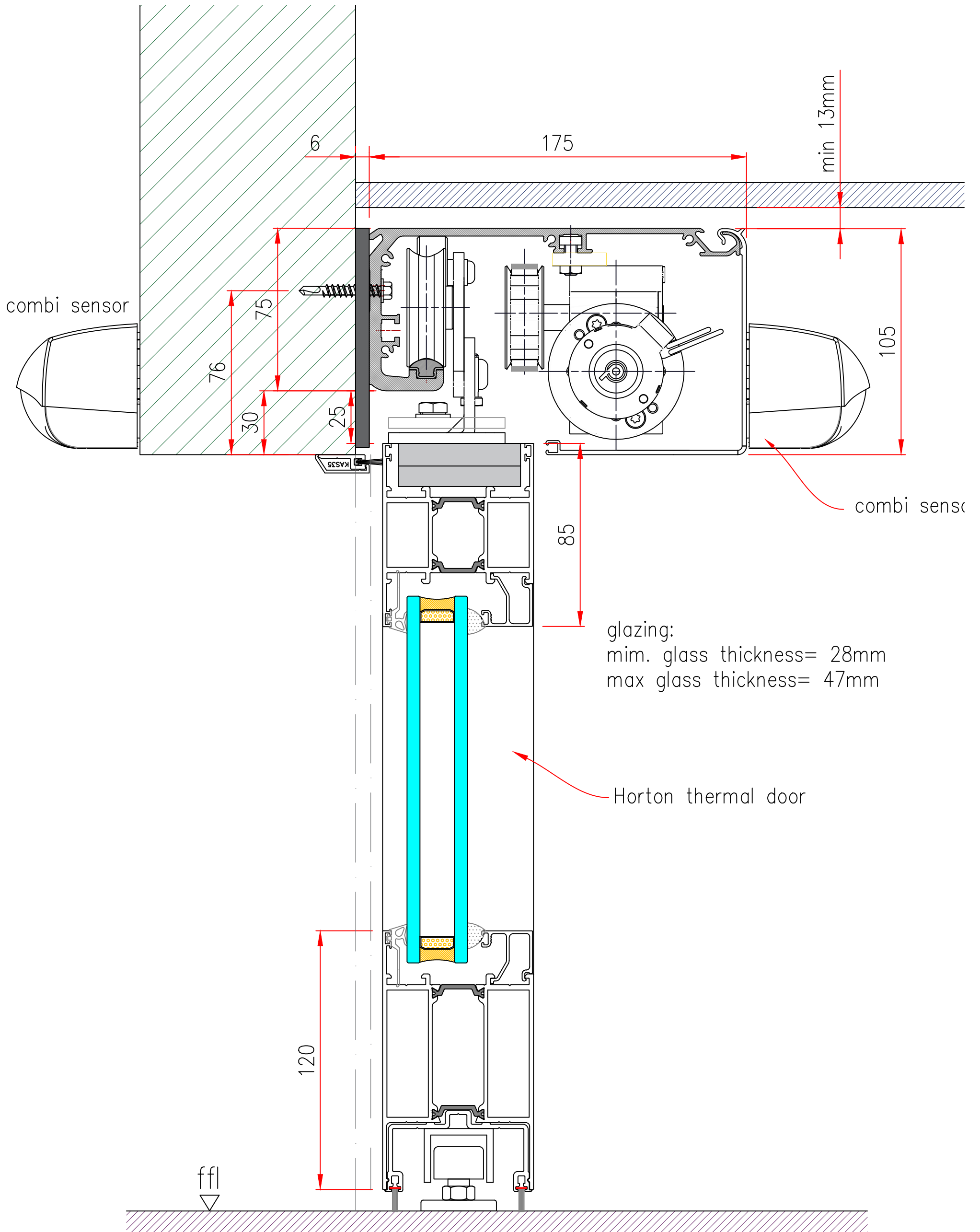
Horton 2021+ – with standard Horton door



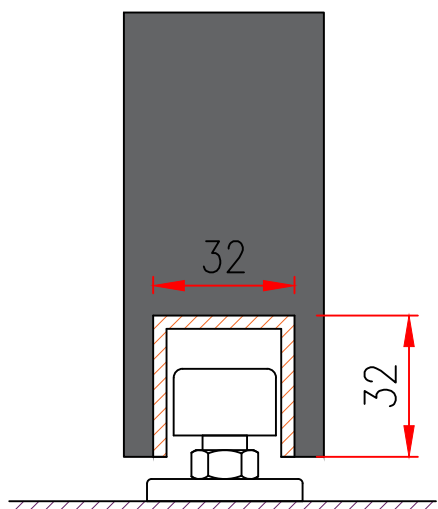
Horton 2021+ – with elegant Horton door



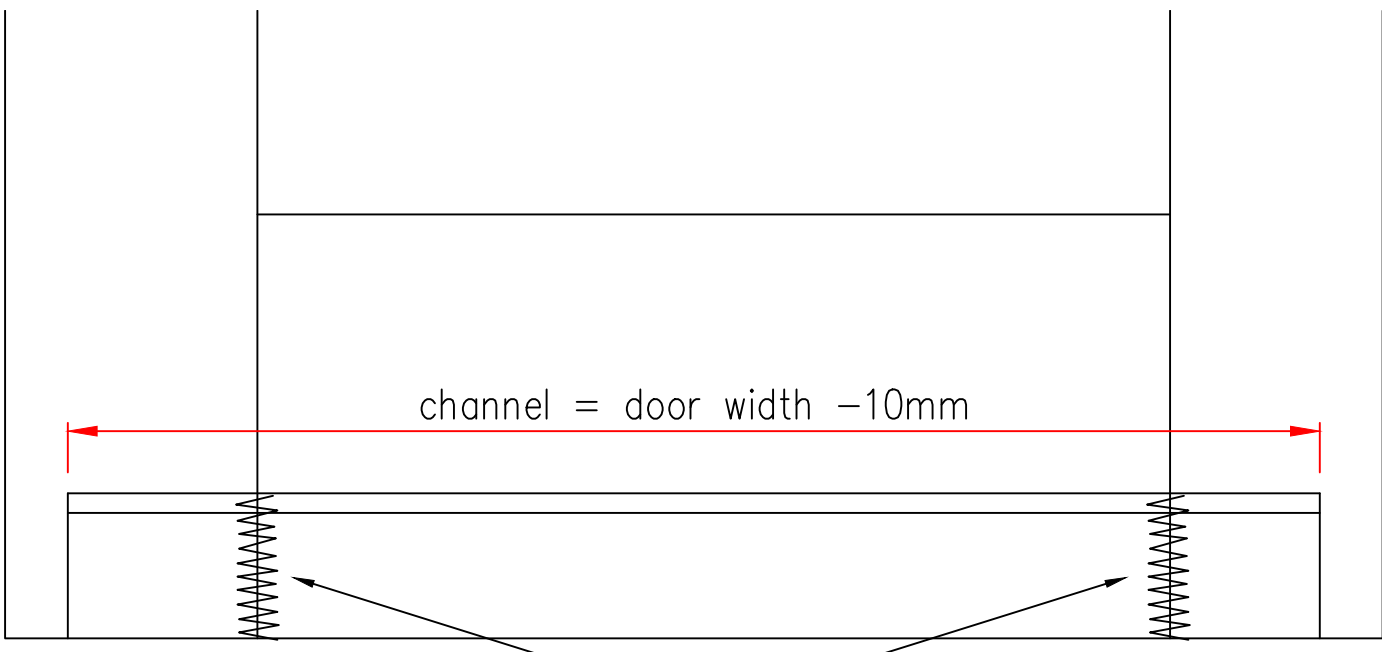
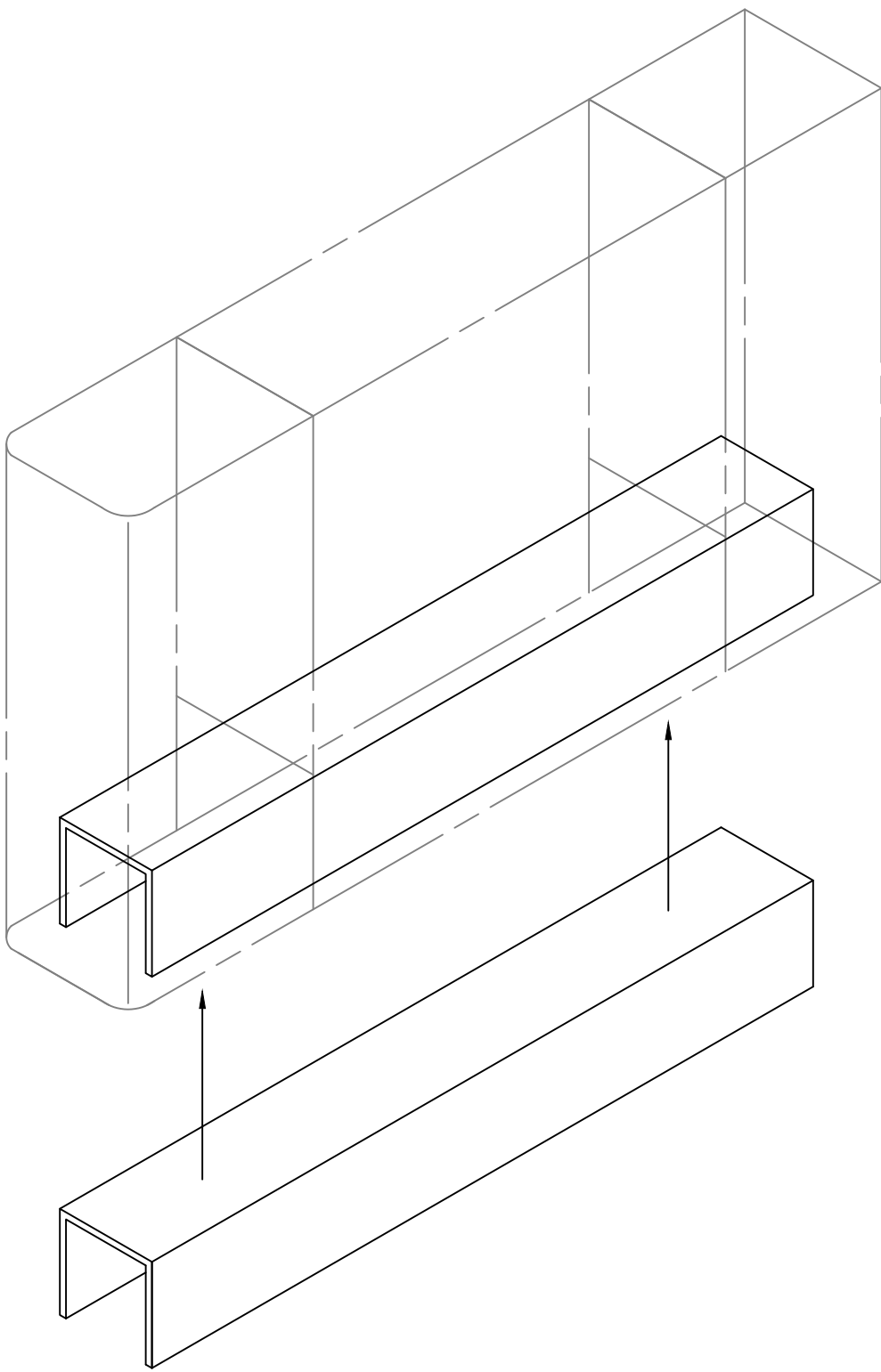
Horton 2021+ – with thermal Horton door



Horton 2021+ – customer bottom door prep D02

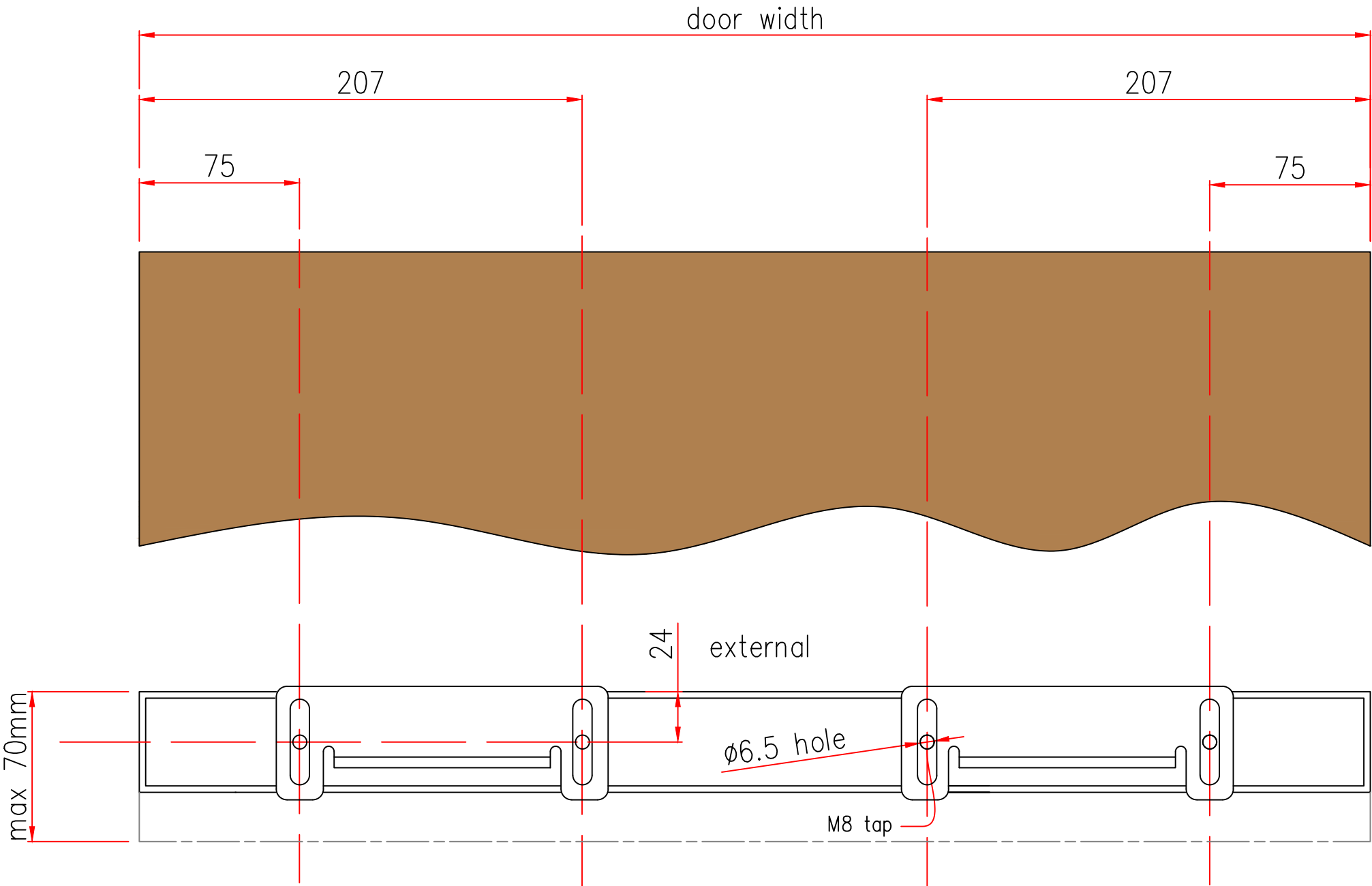
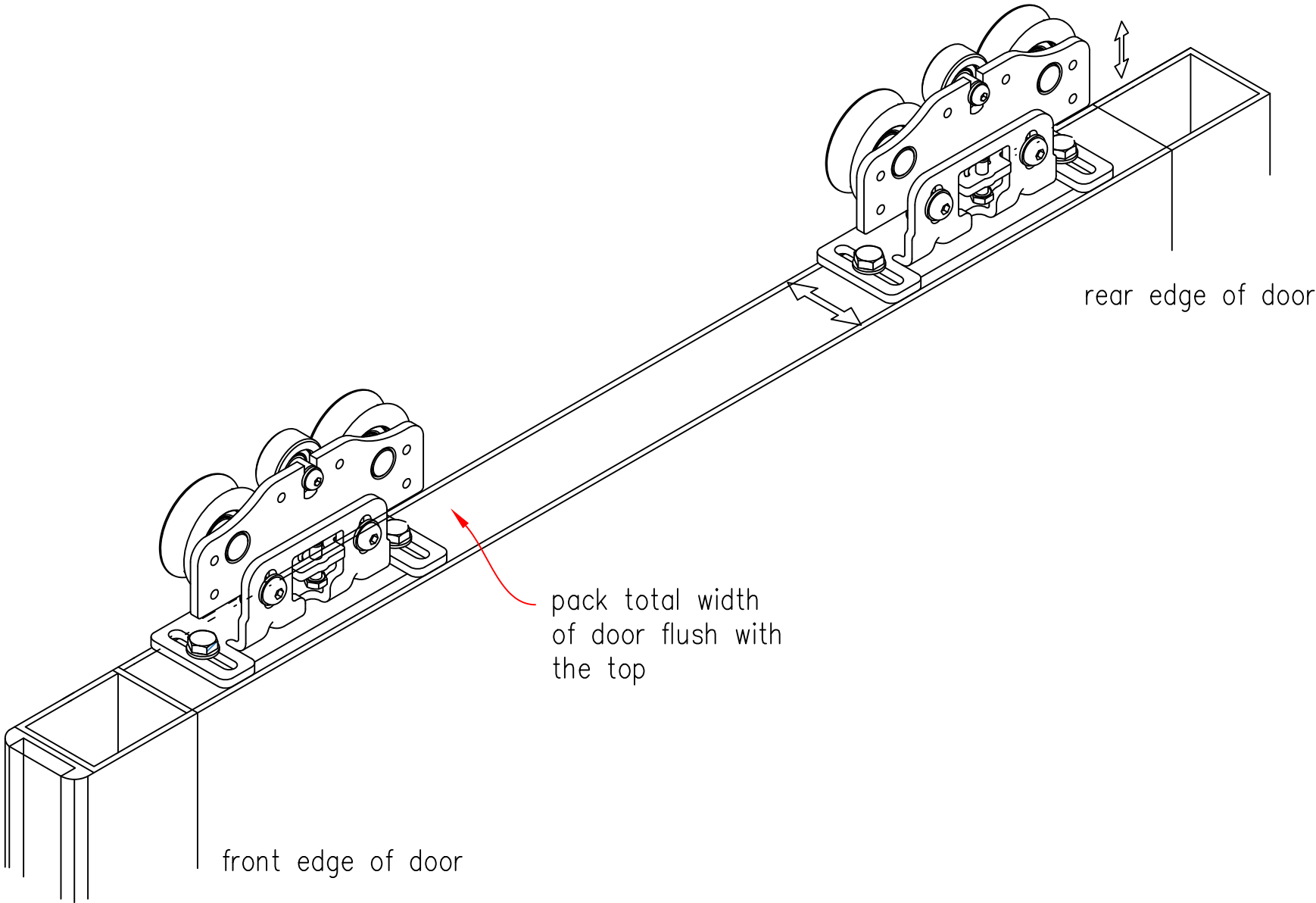


32x32x32 3mm SAA channel
channel to be level with bottom of doors

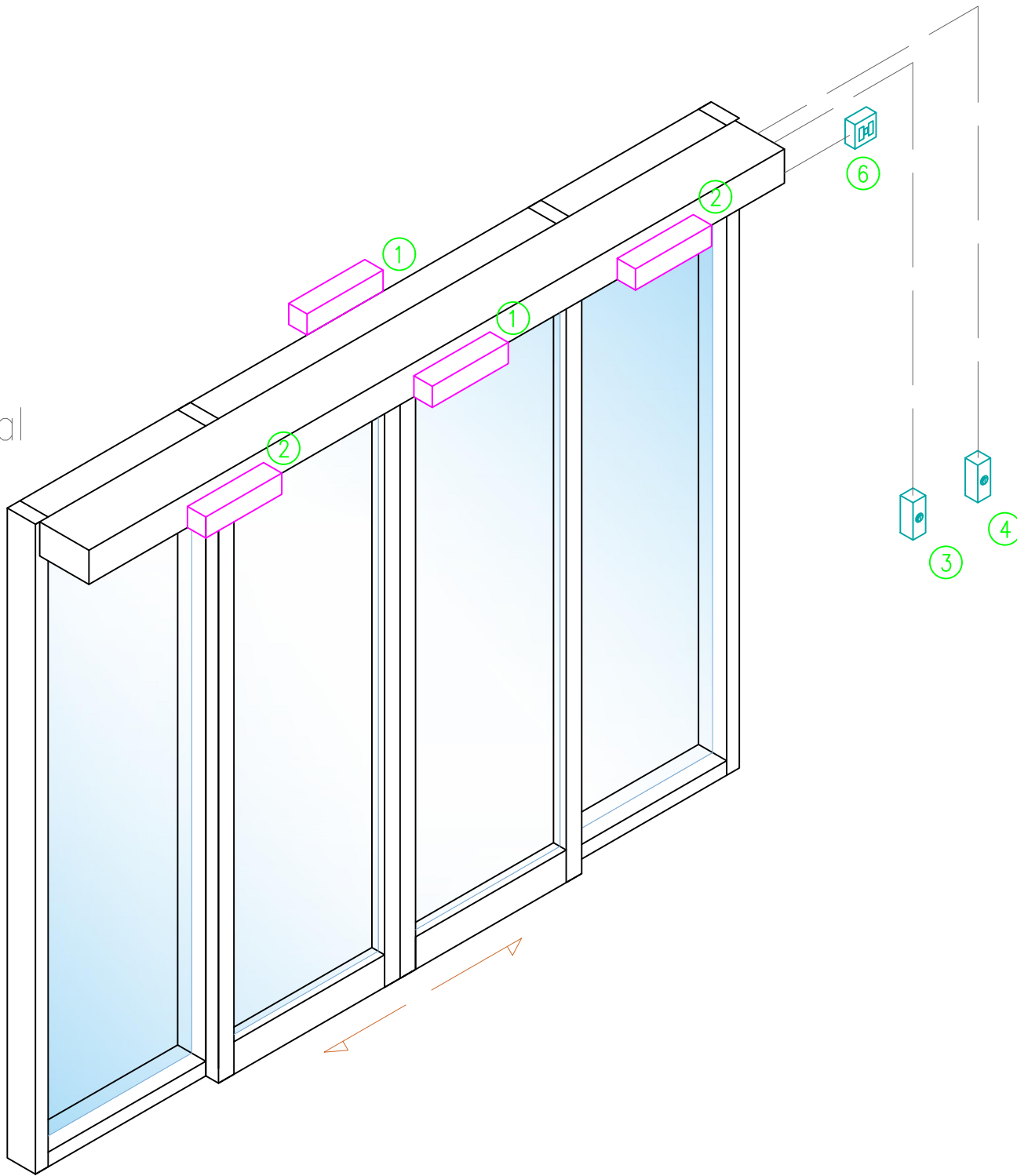


remove portion of web to allow channel fitting

Horton 2021+ – customer top door prep D01



external



ITEM INDEX		
OPTION	ITEM	PART No.
1	COMBI SENSOR	T01518.0000
2	REAR DOOR SAFETY SENSOR	T01519.0000
3	5-WAY KEY-SWITCH	T02307.0000
4	MOMENTARY KEY-SWITCH	T01529.0000
6	240V 5amp FUSE SPUR	BY CUSTOMER

TECHNICAL FEATURES	
WINGS	1 OR 2
POWER SUPPLY	230V AC 50/60Hz
RATED POWER (2021+)	150 W
RATED POWER (2021+ HD)	180 W
POWER EXTERNAL DEVICES	15V DC - 12W MAX.
POWER BATTERY BACKUP	12V 1.2Ah
MAX OPENING SPEED	1 LEAF: 70 cm/s 2 LEAF: 140 cm/s
MAX CLOSING SPEED	70% OF OPERATING SPEED
MAX DOOR WEIGHT (2021+)	1 LEAF: 140kg 2 LEAF: 100kg + 100kg
MAX DOOR WEIGHT (2021+ HD)	1 LEAF: 160kg 2 LEAF: 140kg + 140kg
CLEAR OPENING	1 LEAF: 700 - 3000mm 2 LEAF: 800 - 3000mm
OPERATING TEMPERATURE	-10°C - +55°C
PROTECTION	IP20
OPERATOR WEIGHT	11 kg/m